

1

2

3

4

5

6

A

A

B

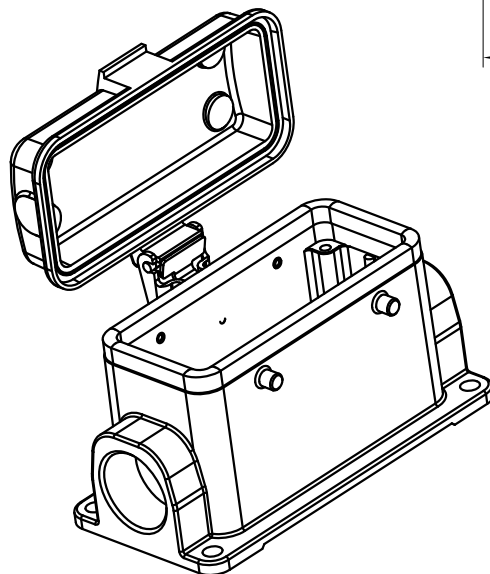
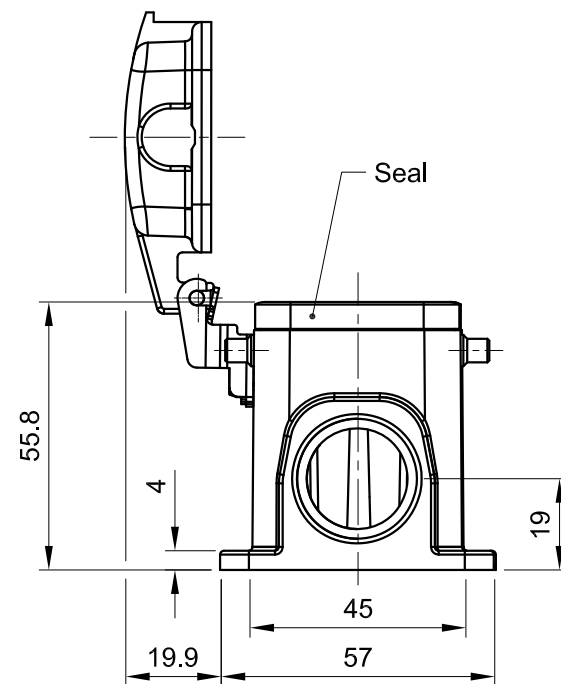
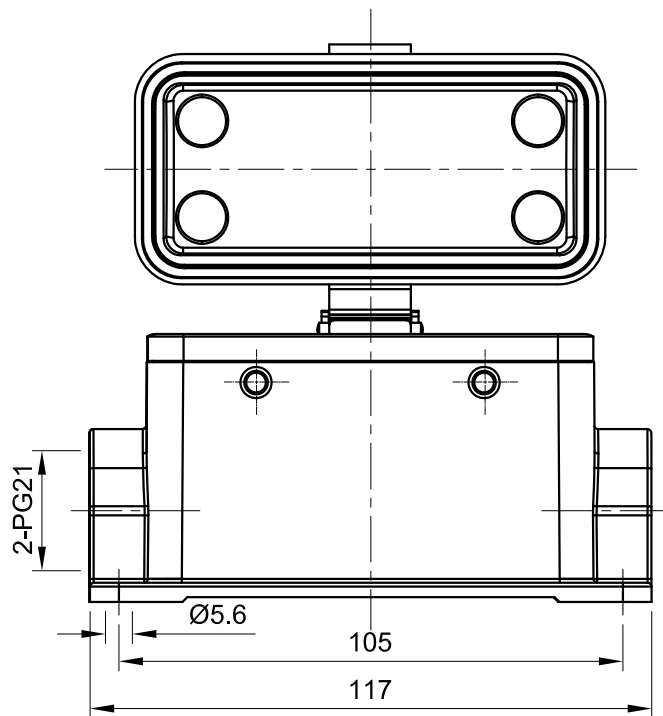
B



C

C

D

D



 InKonn (Suzhou) Electric Technology Co.,Ltd.	 All Dimensions in mm Original Size DIN A4	Date 2019-11-19	Drawing No. TC4731158	Rev. A00	Scale 1:1.5
	Part No. 10 11 816 0646 Type Name HB16-SM-MC-QP-2PG21	Created by Shuxu Huang	Checked by Yiyi Luo	Page 1/1	

1

2

3

4

5

6